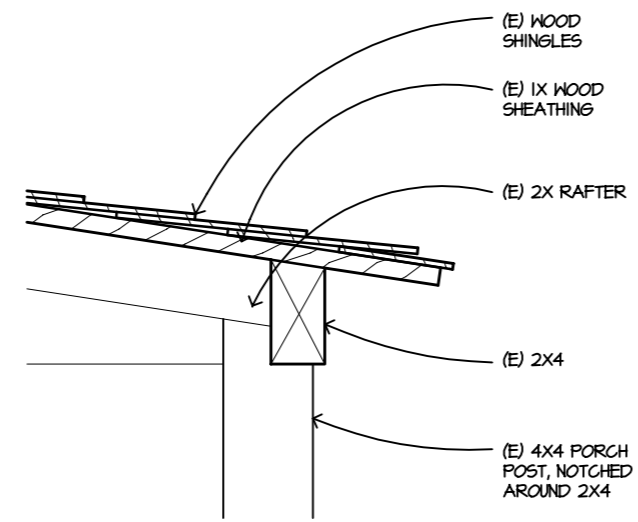
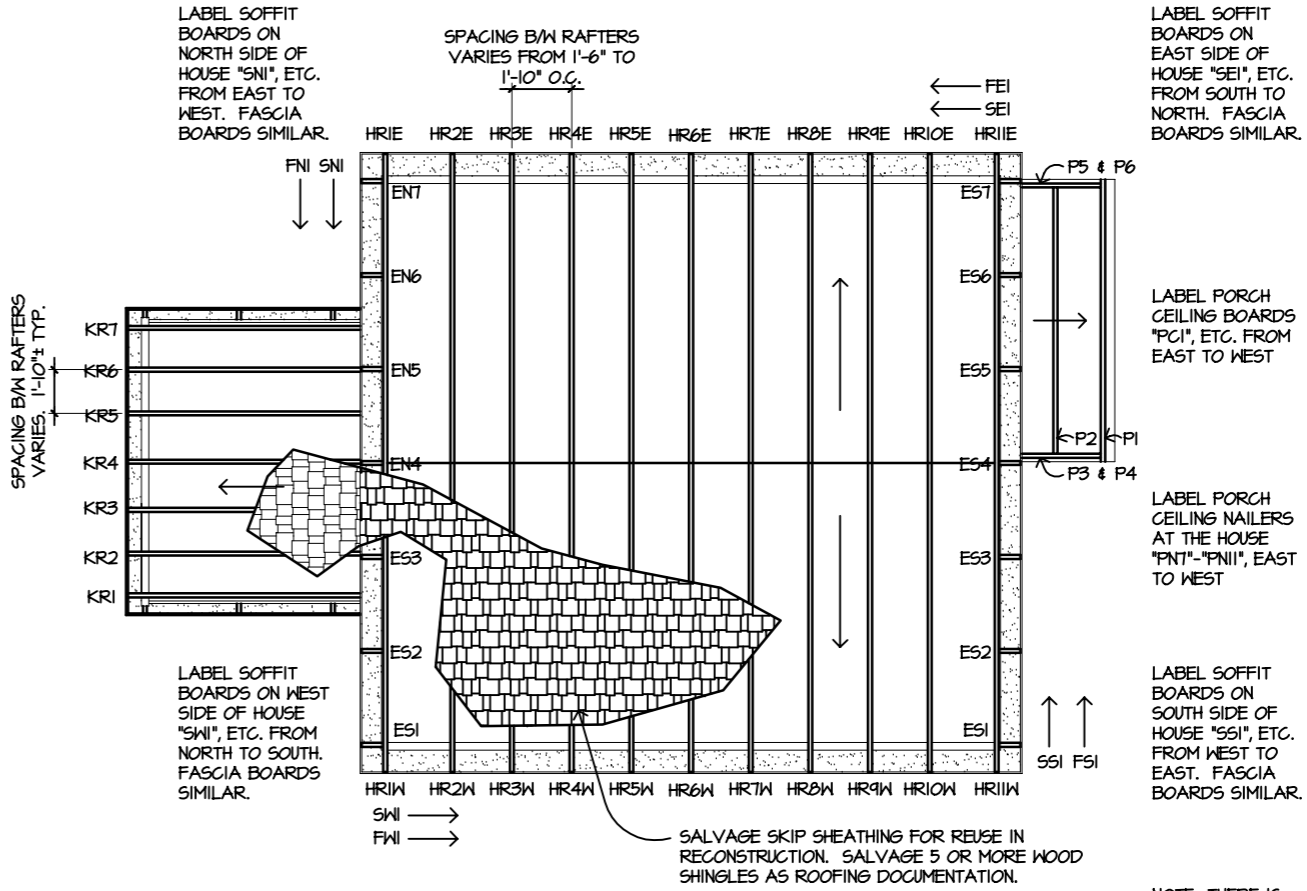


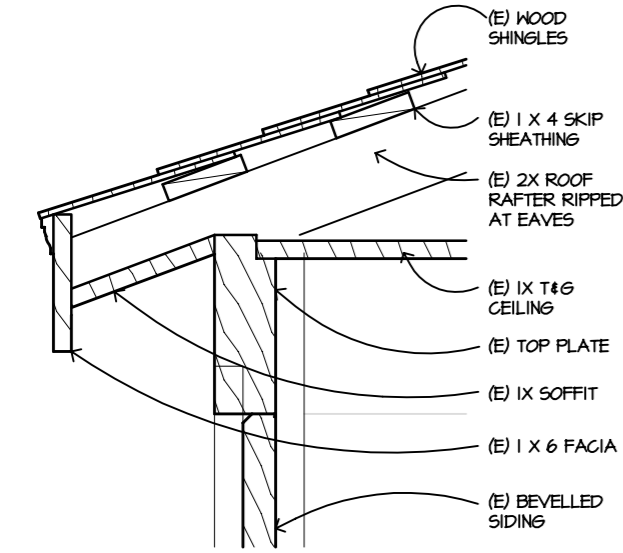
12 PORCH ROOF
A2.3 SCALE: 3" = 1'-0"
ROOF.DWG



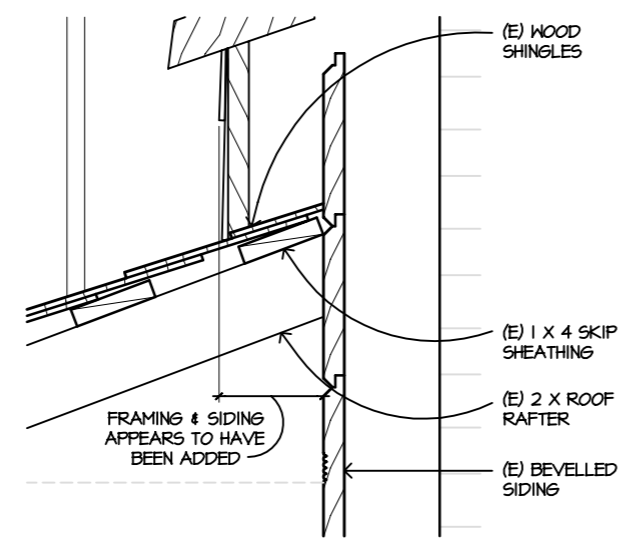
9 PORCH ROOF EAVE
A2.3 SCALE: 3" = 1'-0"
ROOF.DWG



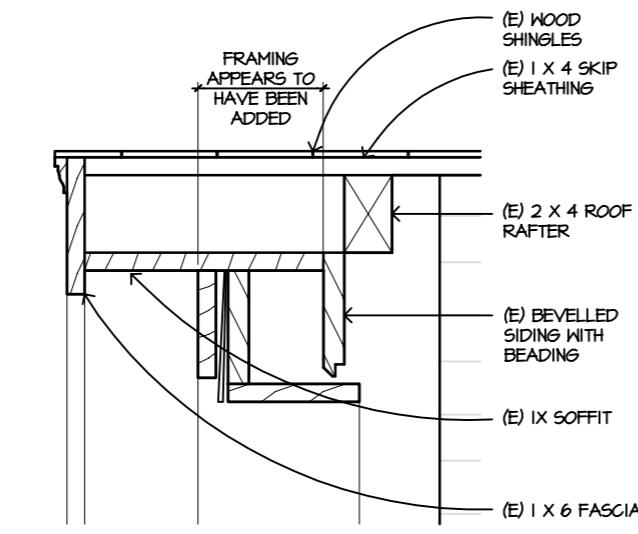
5 ROOF FRAMING PLAN
A2.1 SCALE: 1/4" = 1'-0"
ROOFPLAN.DWG



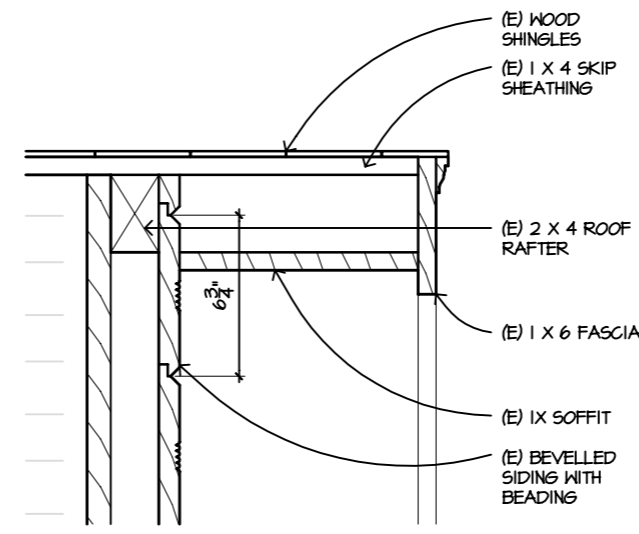
11 NORTH SHED ROOF EAVE
A2.3 SCALE: 3" = 1'-0"
ROOF.DWG



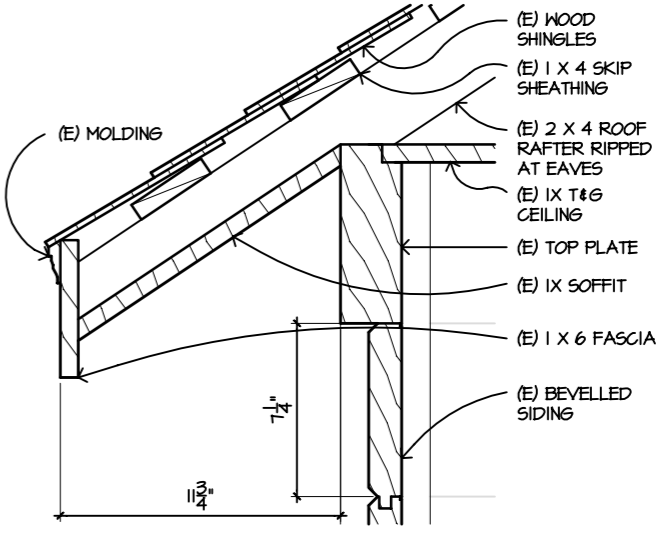
8 NORTH SHED ROOF
A2.3 SCALE: 3" = 1'-0"
ROOF.DWG



7 ROOF RAKE AT NORTH GABLE
A2.3 SCALE: 3" = 1'-0"
ROOF.DWG



4 ROOF RAKE AT SOUTH GABLE
A2.3 SCALE: 3" = 1'-0"
ROOF.DWG



1 TYPICAL ROOF EAVE
A2.3 SCALE: 3" = 1'-0"
ROOF.DWG

NO.	DESCRIPTION	DATE
REVISIONS		

KENNEY COTTAGE

HISTORIC AND EXISTING CONDITIONS

1719 UNIVERSITY AVENUE
BERKELEY, CALIFORNIA

SHEET TITLE ROOF FRAMING & DETAILS

ISSUANCE
100% DOCUMENTATION DRAWINGS

DATE
June 20, 2002

PROJ. NO.
02063

DRAWN
JJK

CHECKED
JJK

DRAWING NO.
A2.3

SHEET 4 OF 9